

Z-300 SERIES PANEL FLOWMETER

Specification

Model	Measure Range		Thread	Accuracy	Working Pressure
	GPM	LPM			
Z-3000	0.03-0.35	0.1-1.4	G1/2"	±4%	≤ 0.6MPa
Z-3001	0.2-2	1-7	G1/2"		
Z-3002	0.5-5	1.8-18	G3/8"		
Z-3003	2-10	8-40	G3/4"		
Z-3004	2-16	8-60	G3/4"		
Z-3005	4-24	20-100	G1"		
Z-3006	5-35	30-130	G1"		

Sizes

Model	Size (mm)						
	A	B	C	D	E	F	G
Z-3000							
Z-3001	206	34	40	215	31	30	165
Z-3002							
Z-3003	220	41	45	233	47	33	165
Z-3004							
Z-3005	240	44	50	253	47	33	175
Z-3006							

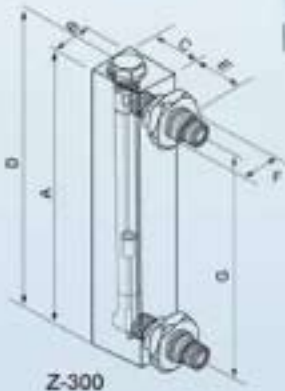
Z-300K SERIES PANEL FLOWMETER

Specification

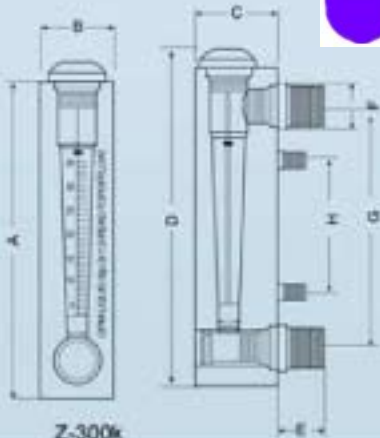
Model	Measure Range		Thread	Accuracy	Working Pressure
	GPM	LPM			
K1	0.1-1	0.5-4	ZG1/2"	±4%	≤ 0.6MPa
K2	0.2-2	1-7	ZG1/2"		
K3	0.5-5	2-18	ZG1/2"		
K4	1-10	5-35	ZG1"		
K5	2-14	10-50	ZG1"		
K6	2-20	10-70	ZG1"		
K7	5-35	10-130	ZG1"		

Sizes

Model	Size (mm)							
	A	B	C	D	E	F	G	H
K1 K2 K3	165	30	34	176	25	25	127	76
K4 K5 K6 K7	225	45	46	232	48	33	165	100



Z-300



Z-300k

Fiammengo srl.

Bianco Encalada 1190 - (B1768BIP) - Villa Maadero,
Prov. de Buenos Aires, Argentina.
Telefax: (+54 11) 4454 8343.
E-mail: ventas@fiammengo.com.ar